

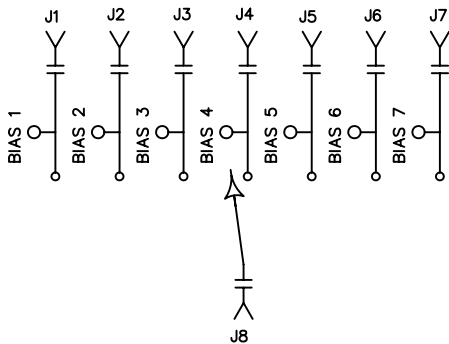
DESCRIPTION

AMC MODEL MSN-7DT-06-MP-IND OPTION: B02, B07, B09 IS A SINGLE POLE SEVEN THROW, NON-REFLECTIVE/ABSORPTIVE SWITCH MODULE WITH HIGH ISOLATION, LOW INSERTION LOSS, HIGH SPEED, AND WITH INTEGRAL TTL DRIVER, DESIGNED FOR BROAD BAND OPERATIONS.

SPECIFICATIONS:

- FREQUENCY: 0.5 GHz TO 18 GHz
- INSERTION LOSS: 3.75 dB GOAL
4.25 dB MAXIMUM
- ISOLATION: 0.5 GHz TO 2 GHz: 60db
2 GHz TO 18 GHz: 70db
- VSWR: ABSORPTIVE IN/OUT: 2.0:1
ABSORPTIVE OUT/OFF: 2.0:1
- SPEED: RISE: 10ns TYPICAL, 15ns MAXIMUM
FALL: 10ns TYPICAL, 15ns MAXIMUM
DELAY ON: 75ns TYPICAL, 100ns MAXIMUM
DELAY OFF: 75ns TYPICAL, 100ns MAXIMUM
- POWER INPUT: (CW)+20dBm (STANDARD), +10 dBm (HIGH SPEED)
- SURVIVAL POWER: 1 WATT CW, 10 WATTS PEAK 1 usec
- CONTROL: TTL LOGIC "0"=ON "1"=OFF
- POWER SUPPLY: +5V @ 350 mA MAXIMUM
-15V @ 100 mA MAXIMUM

BLOCK DIAGRAM



PIN OUT TABLE	
PIN NO:	FUNCTION
1	E1
2	E2
3	E3
4	E4
5	E5
6	E6
7	E7
8	N/C
9	GND
10	GND
11	-15V
12	+5V
13	+5V
14	N/C
15	N/C

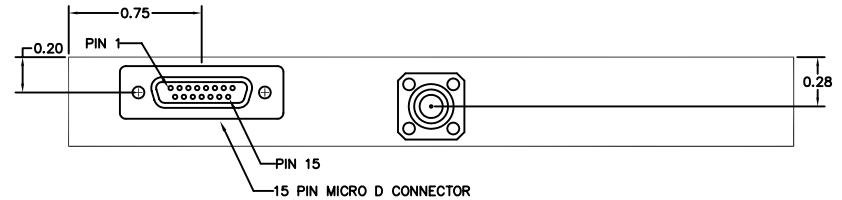
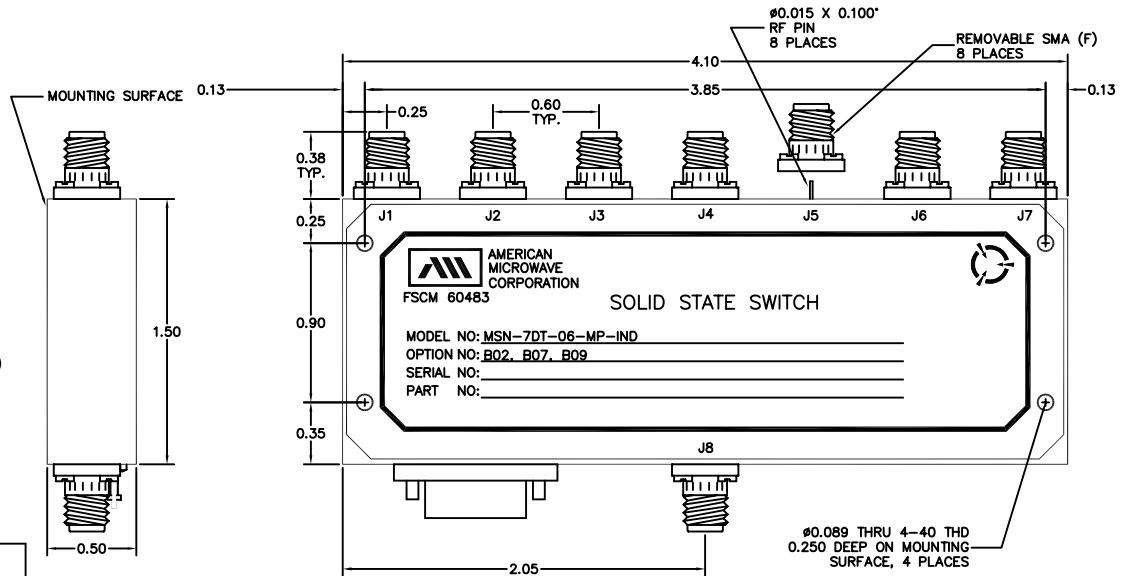
ENVIRONMENTAL RATINGS:

- TEMPERATURE: -55°C TO +85°C (OPERATING)
-65°C TO +125°C (STORAGE)
- HUMIDITY: MIL-STD-202F, METHOD 103B COND. B
- SHOCK: MIL-STD-202F, METHOD 213B COND. B
- VIBRATION: MIL-STD-202F, METHOD 204D COND. B
- ALTITUDE: MIL-STD-202F, METHOD 105C COND. B
- TEMPERATURE CYCLE: MIL-STD-202F, METHOD 107D COND. A

NOTE: SPECIFICATIONS WILL VARY OVER OPERATING TEMPERATURE
NOTE: THE ABOVE SPECIFICATIONS ARE SUBJECT TO CHANGE OR REVISION

ALL DIMENSIONS ARE IN INCHES
TOLERANCES:
X.XX ±0.020
X.XXX ±0.010

REVISIONS				
ZONE	REV.	DESCRIPTION	DATE	APPROVED
	-	ORIGINAL RELEASE JOB# 406123PE	07/07/04	



AMERICAN MICROWAVE CORPORATION

7311-G GROVE ROAD
FREDERICK, MARYLAND 21704 USA
TEL: 301-662-4700 FAX: 301-662-4938
WEBSITE: www.americammicrowavecorp.com
E-MAIL: sales@americammicrowavecorp.com
ISO 9001:2000 CERTIFIED

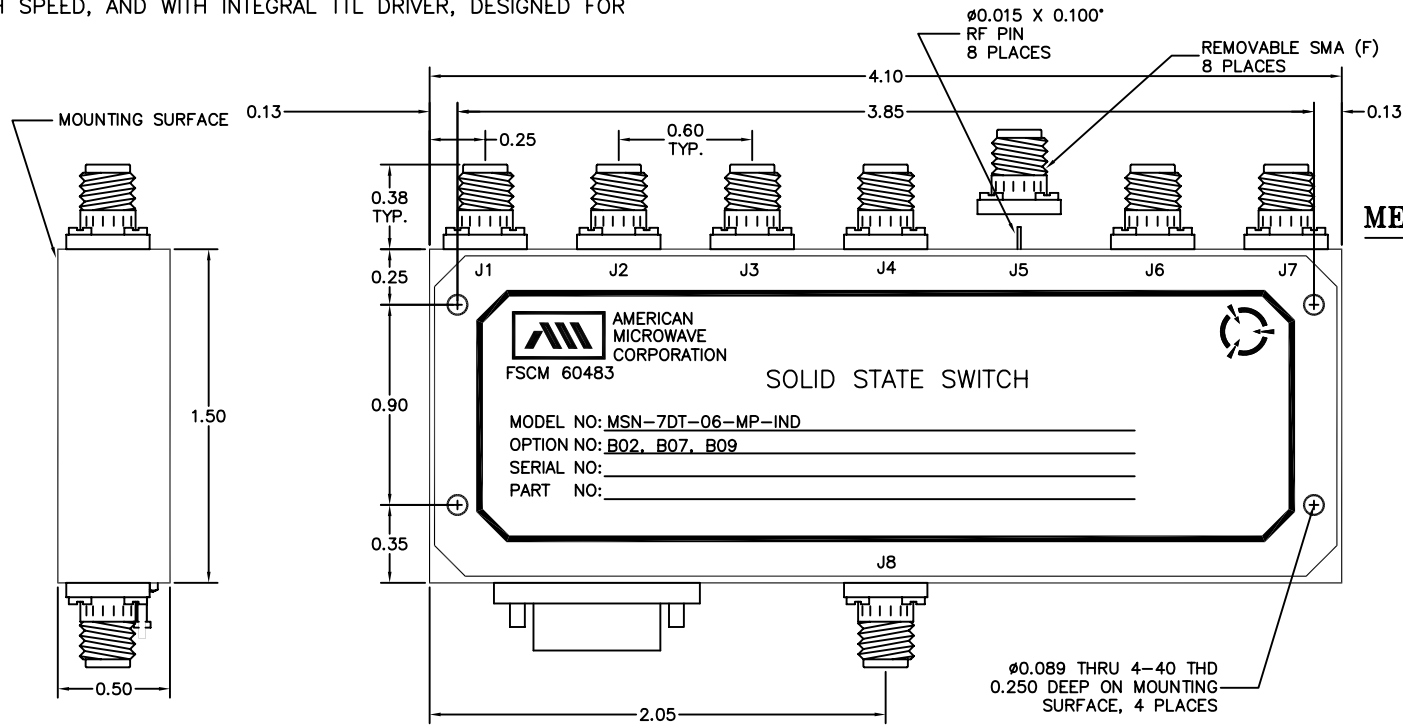


APPROVALS		DATE	TITLE		
DRAWN	JDJ	7/7/04	PRODUCT FEATURE MSN-7DT-06-MP-IND OPTION: B02, B07, B09 0.5 TO 18 GHz SINGLE POLE SEVEN THROW SWITCH		
REDRAWN	JDJ	8/20/04	SIZE	FSCM NO.	DWG NO.
ISSUED			A	60483	100-7036
			SCALE	SHEET	
			N:S	1 OF 3	

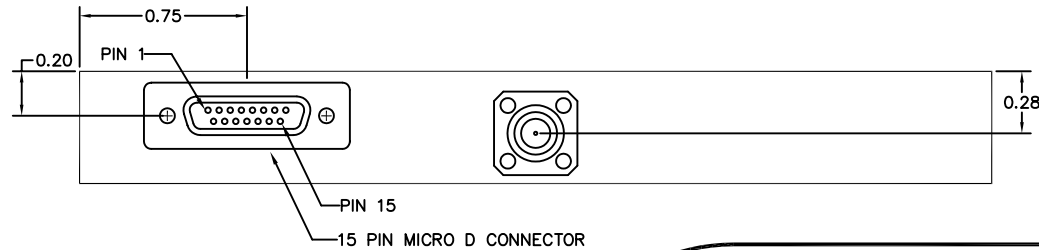
DESCRIPTION

AMC MODEL MSN-7DT-06-MP-IND OPTION: B02, B07, B09 IS A SINGLE POLE SEVEN THROW, NON-REFLECTIVE/ABSORPTIVE SWITCH MODULE WITH HIGH ISOLATION, LOW INSERTION LOSS, HIGH SPEED, AND WITH INTEGRAL TTL DRIVER, DESIGNED FOR BROAD BAND OPERATIONS.

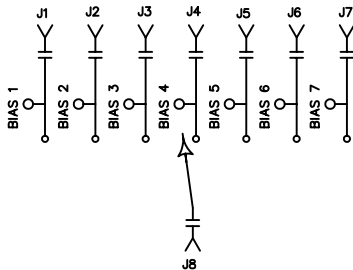
REVISIONS				
ZONE	REV.	DESCRIPTION	DATE	APPROVED
	-	ORIGINAL RELEASE JOB# 406123PE	07/07/04	



MECHANICAL OUTLINE



BLOCK DIAGRAM



ALL DIMENSIONS ARE IN INCHES
 TOLERANCES:
 X.XX ±0.020
 X.XXX ±0.010

AMERICAN MICROWAVE CORPORATION

7311-G GROVE ROAD
 FREDERICK, MARYLAND 21704 USA
 TEL: 301-662-4700 FAX: 301-662-4938
 WEBSITE: www.americammicrowavecorp.com
 E-MAIL: sales@americammicrowavecorp.com
 ISO 9001:2000 CERTIFIED



APPROVALS		DATE	TITLE		
DRAWN <i>JDJ</i>		7/7/04	MECHANICAL OUTLINE MSN-7DT-06-MP-IND OPTION: B02, B07, B09 0.5 TO 18 GHz SINGLE POLE SEVEN THROW SWITCH		
REDRAWN <i>JDJ</i>		8/20/04	SIZE A	FSCM NO. 60483	DWG NO. 100-7036
ISSUED			SCALE N:S		SHEET 2 OF 3